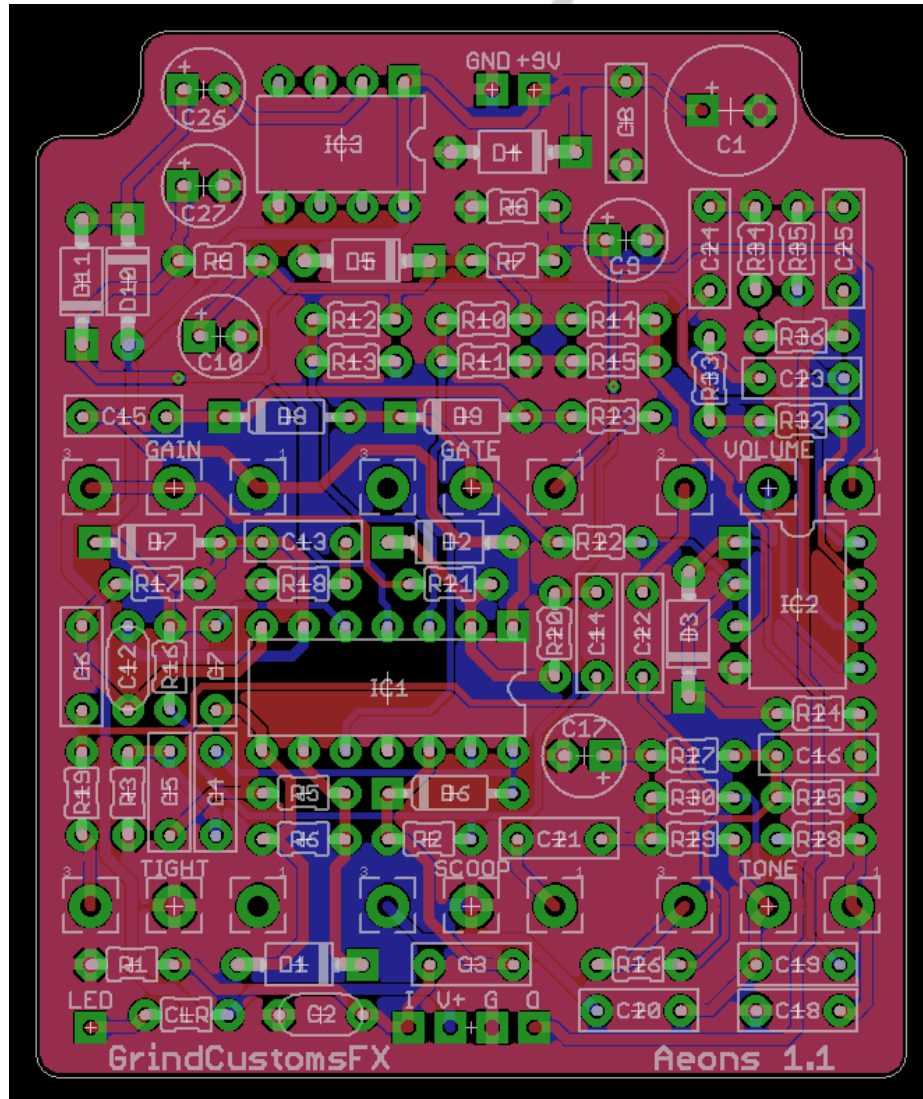


GRIND CUSTOMS FX

WWW.GRINDCUSTOMSFX.COM

METAL TRINITY: 2 - AEONS



HISTORY

What we have here good people, is the second of the Metal Trinity. A selection of circuits that have been chosen and tweaked the Grind way for maximum awesomeness. Essentially some of our favourite high gain distortions with tweaks on.

The Aeons is a TightMetal clone running internally at higher voltage for even more tightness, a pot for variable scoopage and an always on gate (just back it off not to use it, but you will always use it, as that's the point, hence no switch).

PCB layout by the entity known as Chuckbuick based on the awesome traceage of JOK3RX. Note that all resistors are the smaller 1/8 watt style.

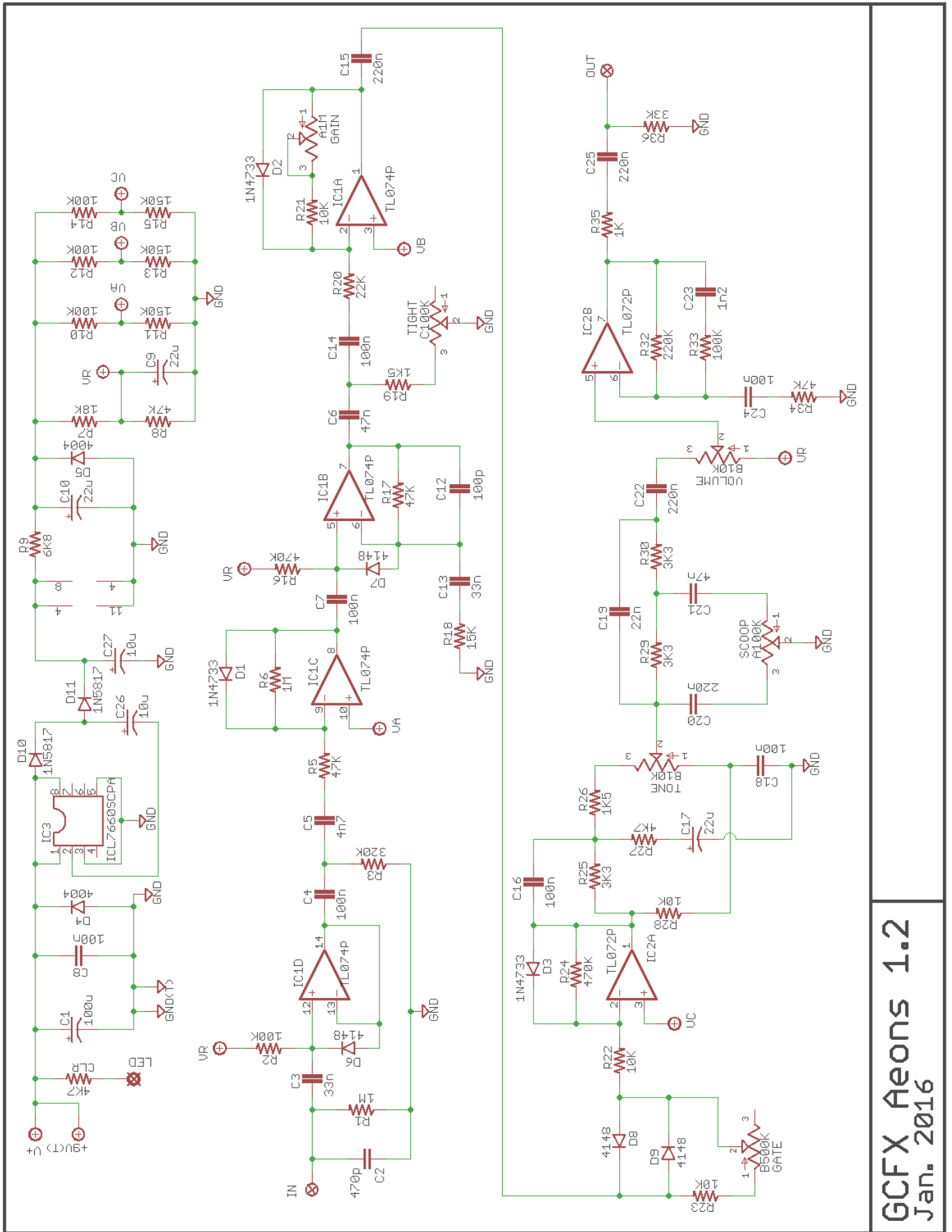
GRIND CUSTOMS FX

WWW.GRINDCUSTOMSFX.COM

R1	1M	C1	100U	D1	1N4733
R2	100K	C2	470P	D2	1N4733
R3	320K	C3	33N	D3	1N4733
R5	47K	C4	100N	D4	1N4004
R6	1M	C5	4N7	D5	1N4004
R7	18K	C6	47N	D6	1N4148
R8	47K	C7	100N	D7	1N4148
R9	6K8	C8	100N	D8	1N4148
R10	100K	C9	22U	D9	1N4148
R11	150K	C10	22U	D10	1N5817
R12	100K	C12	100P	D11	1N5817
R13	150K	C13	33N		
R14	100K	C14	100N	IC1	TL074P
R15	150K	C15	220N	IC2	TL072P
R16	470K	C16	100N	IC3	ICL7660SCPA
R17	47K	C17	22U		
R18	15K	C18	100N	VOLUME	B10K
R19	1K5	C19	22N	TONE	B10K
R20	22K	C20	220N	SCOOP	A100K
R21	10K	C21	47N	GAIN	A1M
R22	10K	C22	220N	GATE	B500K
R23	10K	C23	1N2	TIGHT	C100K
R24	470K	C24	100N		
R25	3K3	C25	220N		
R26	1K5	C26	10U		
R27	4K7	C27	10U		
R28	10K				
R29	3K3				
R30	3K3				
R32	220K				
R33	100K				
R34	47K				
R35	1K				
R36	33K				
CLR	4K7				

GRIND CUSTOMS FX

WWW.GRINDCUSTOMSFX.COM



GCFX Aeons 1.2
Jan. 2016

GRIND CUSTOMS FX

WWW.GRINDCUSTOMSFX.COM

This PCB was designed using our standard 1590B/125B layout.

Guide drill templates:

