

GRIND CUSTOMS FX

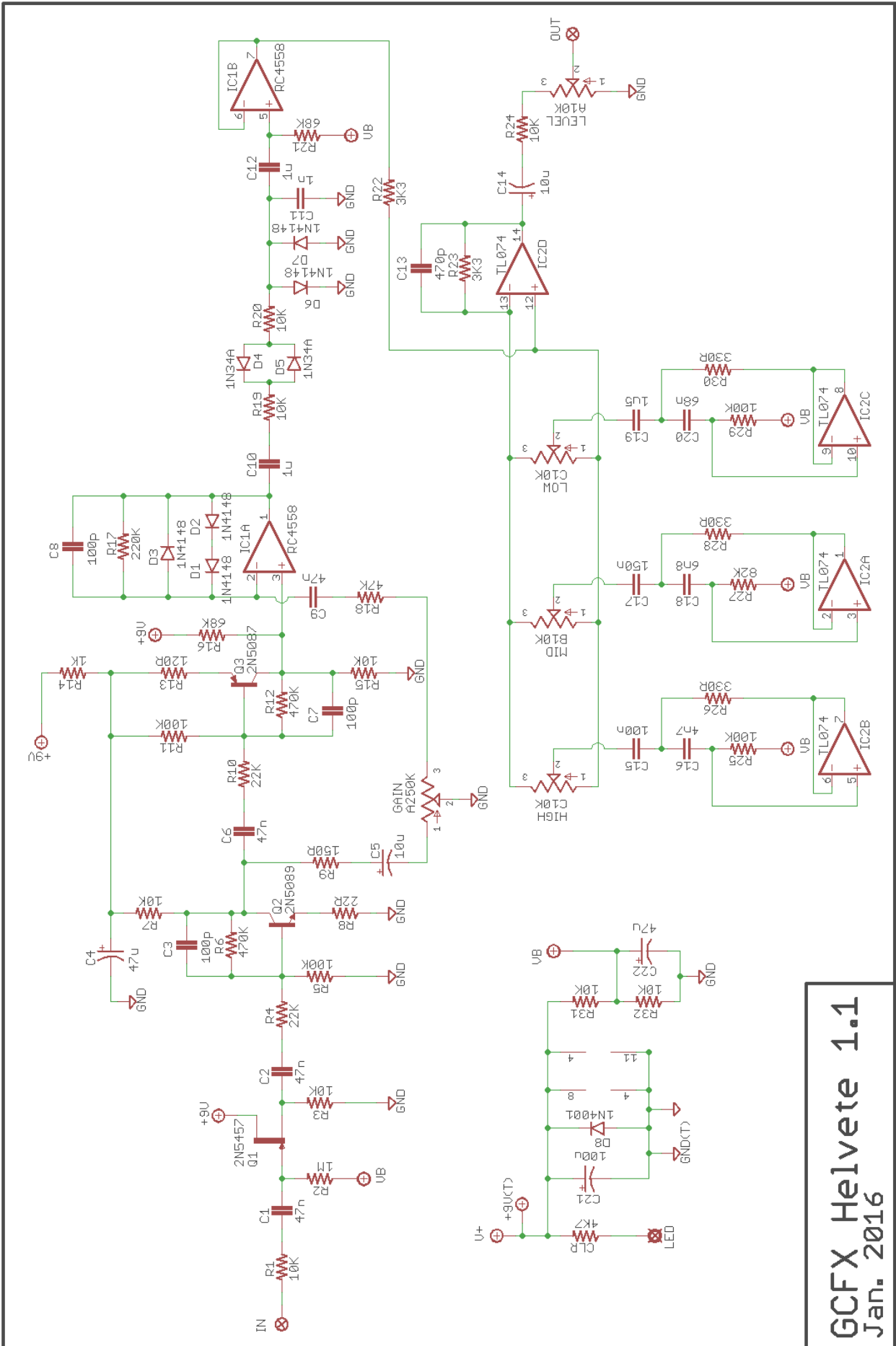
WWW.GRINDCUSTOMSFX.COM

BOM

R1	10K	C1	47N	Q1	2N5457
R2	1M	C2	47N	Q2	2N5089
R3	10K	C3	100P	Q3	2N5087
R4	22K	C4	47U		
R5	100K	C5	10U	D1	1N4148
R6	470K	C6	47N	D2	1N4148
R7	10K	C7	100P	D3	1N4148
R8	22R	C8	100P	D4	1N34A
R9	150R	C9	47N	D5	1N34A
R10	22K	C10	1U	D6	1N4148
R11	100K	C11	1N	D7	1N4148
R12	470K	C12	1U	D8	1N4001
R13	120R	C13	470P		
R14	1K	C14	10U	IC1	RC4558
R15	10K	C15	100N	IC2	TL074
R16	68K	C16	4N7		
R17	220K	C17	150N	LEVEL	A10K
R18	47K	C18	6N8	GAIN	A250K
R19	10K	C19	1U5	HIGH	C10K
R20	10K	C20	68N	MID	B10K
R21	68K	C21	100U	LOW	C10K
R22	3K3	C22	47U		
R23	3K3				
R24	10K				
R25	100K				
R26	330R				
R27	82K				
R28	330R				
R29	100K				
R30	330R				
R31	10K				
R32	10K				
CLR	4K7				

GRIND CUSTOMS FX

WWW.GRINDCUSTOMSFX.COM



GCFX Helvete 1.1
Jan. 2016

GRIND CUSTOMS FX

WWW.GRINDCUSTOMSFX.COM

This PCB was designed using our standard 1590B/125B layout.

Guide drill templates:

