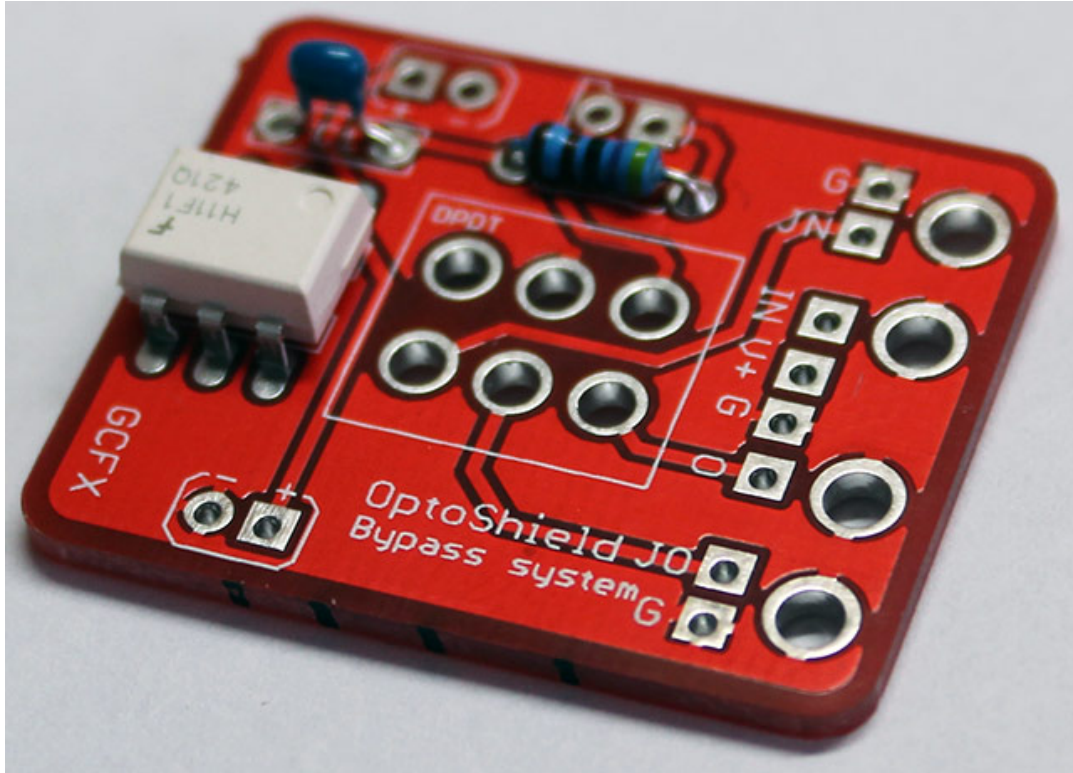


# GRIND CUSTOMS FX

[WWW.GRINDCUSTOMSFX.COM](http://WWW.GRINDCUSTOMSFX.COM)

## OPTOSHIELD



### OVERVIEW

This stomp board is specifically tailored for effects that need a bit of extra shielding on the signal lines. It's particularly well suited to valve effects and high gain stuff. We recommend it for use with the STM800 project.

Gotta throw out props to Josh of 1776 Effects who was the first to use this switching method in DIY. So if you need a board for a regular effect, head on over there and snag an OptoTron.

### GROUP HUG

Not a massive amount of huggery with this one. Jason is the PCB man. Like his namesake Jason Statham, if you need a PCB making, he'll make it in a way that not only is awesome, but also ever so slightly homo-erotic, but you let it go because of the awesome.

### SHIELDED WIRE

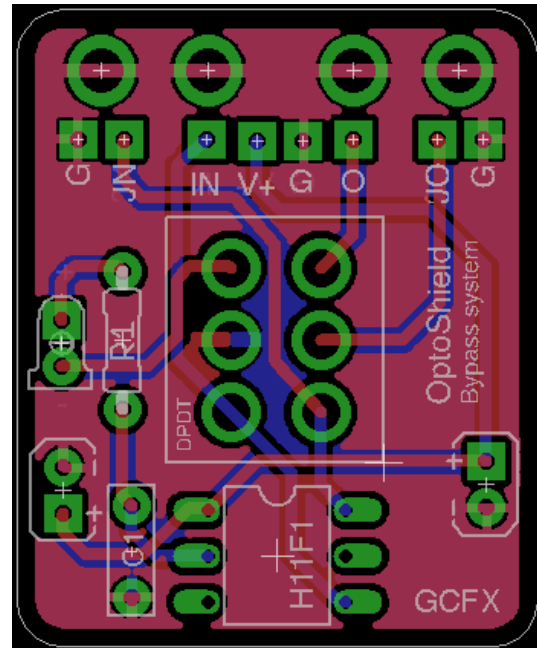
See the STM 800 doc for an in depth tutorial for how to use shielded wire with this board.

# GRIND CUSTOMS FX

[WWW.GRINDCUSTOMSFX.COM](http://WWW.GRINDCUSTOMSFX.COM)

SMALLEST BOM EVER!

R1	4K7
C1	220NF
OK1	H11F1



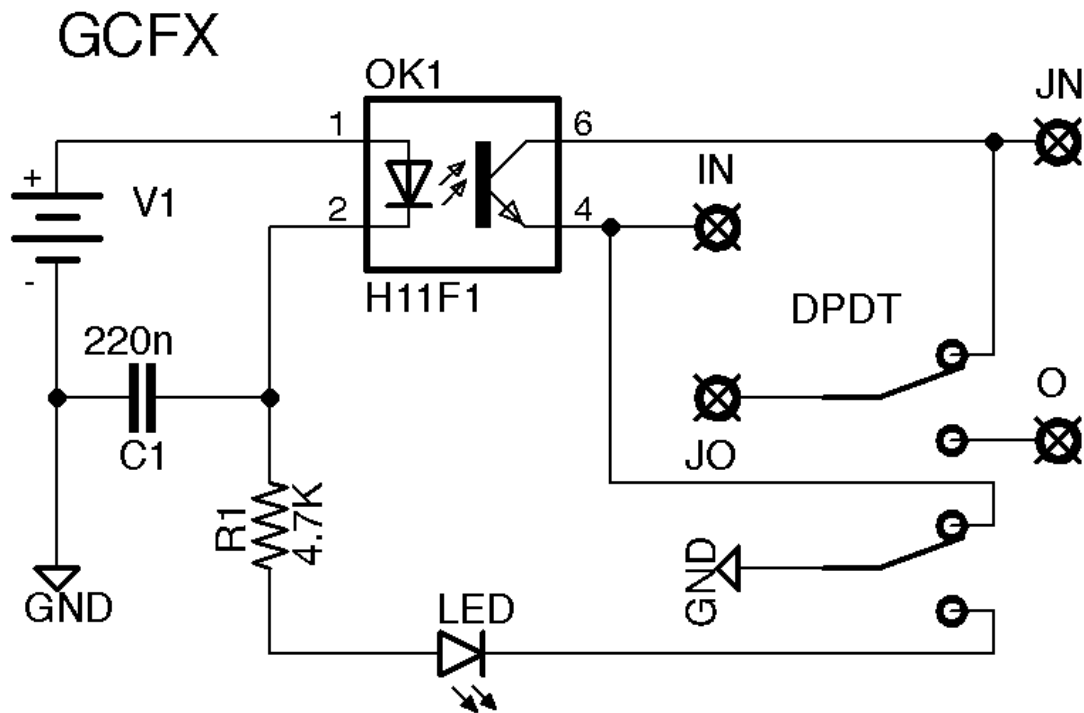
Here are some links for the DPDT stomp in the US:

<http://smallbear-electronics.mybigcommerce.com/alpha-107-sf12011-l-dpdt/>

<http://www.mammothelectronics.com/4SFS2PDT-LS-I-p/800-1016.htm>

One for the UK for good measure:

<http://www.rapidonline.com/Electronic-Components/DPDT-Latching-Action-Foot-Switch-78-0744>



OptoShield Bypass System