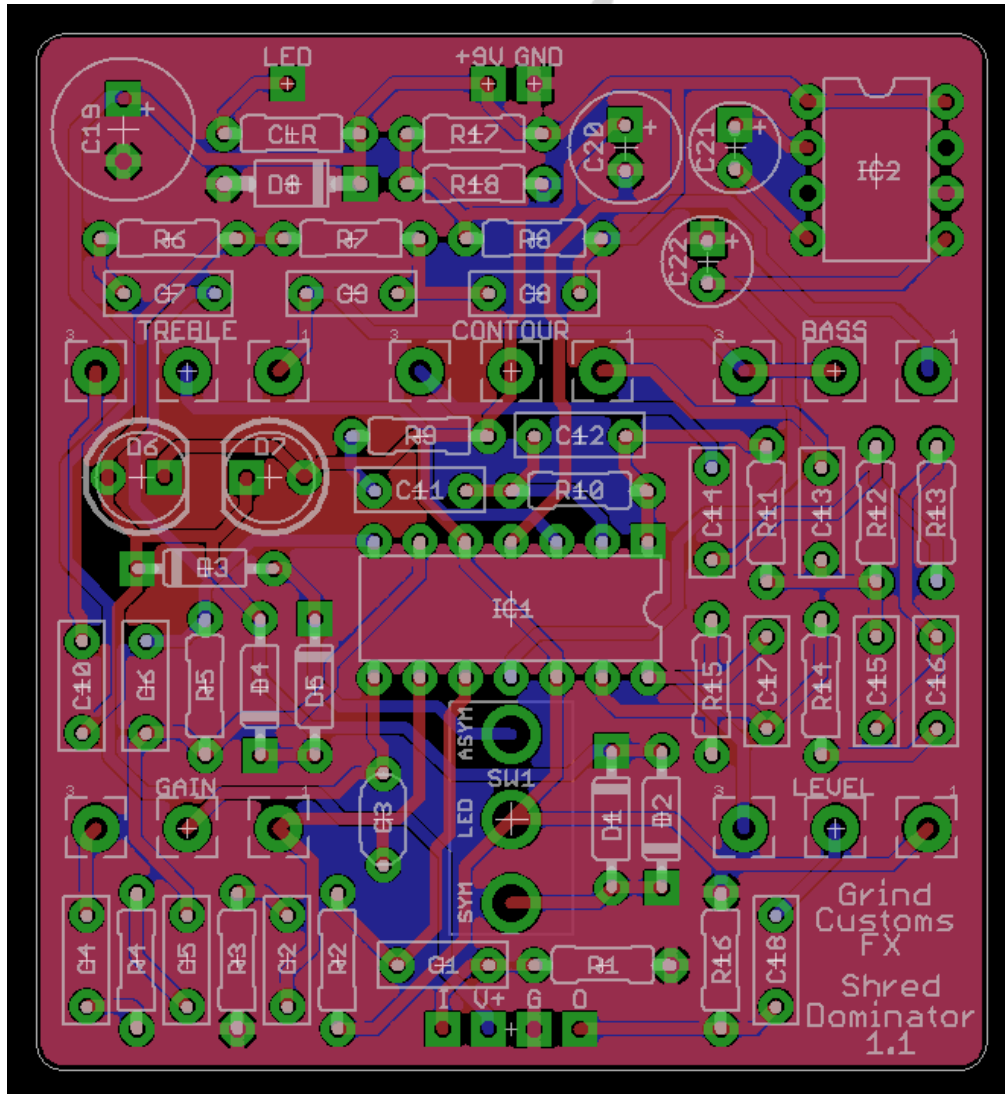


GRIND CUSTOMS FX

WWW.GRINDCUSTOMSFX.COM

METAL TRINITY: 1 - SHRED DOMINATOR



HISTORY

What we have here good people, is the first of the Metal Trinity. A selection of circuits that have been chosen and tweaked the Grind way for maximum awesomeness. Essentially some of our favourite high gain distortions with tweaks on.

The Shred Dominator is a Shredmaster clone with switchable clipping and on-board higher voltage rock and roll.

PCB layout by the entity known as Chuckbuick.

GRIND CUSTOMS FX

WWW.GRINDCUSTOMSFX.COM

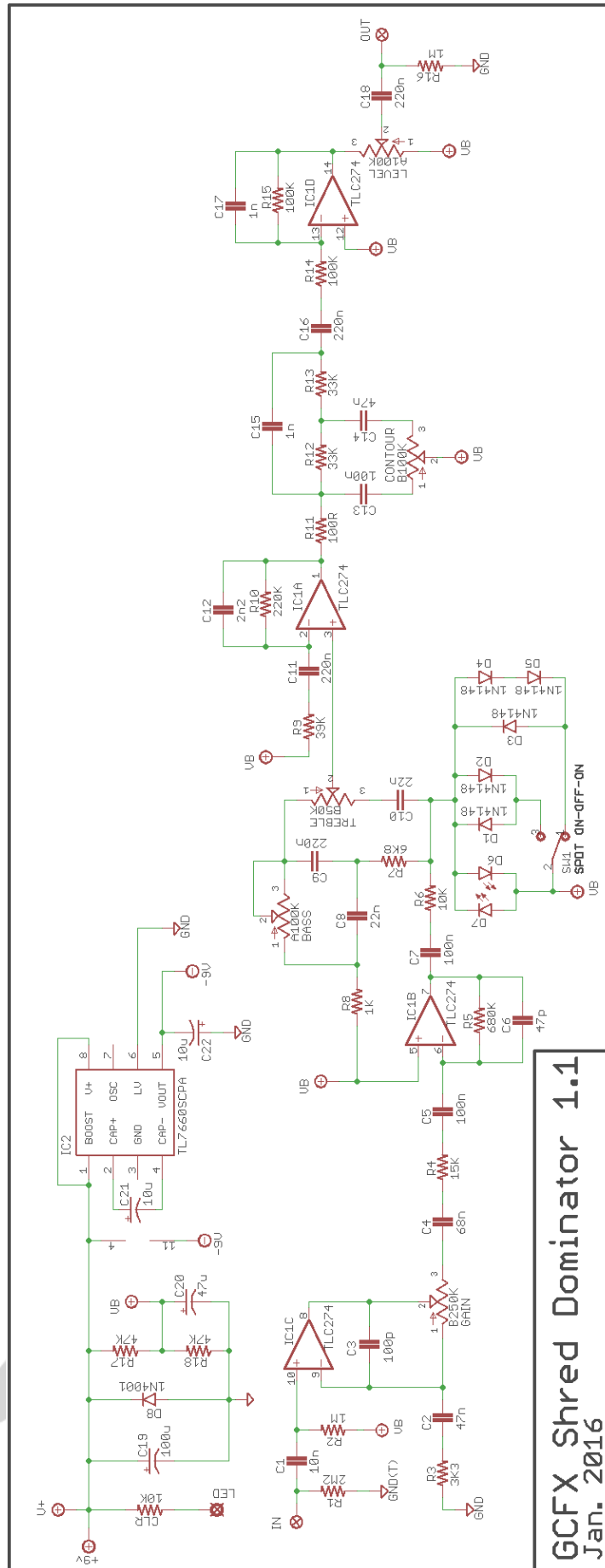
BOM

R1	2M2	C1	10N	IC1	TLC274
R2	1M	C2	47N	IC2	TL7660SCPA
R3	3K3	C3	100P		
R4	15K	C4	68N	D1	1N4148
R5	680K	C5	100N	D2	1N4148
R6	10K	C6	47P	D3	1N4148
R7	6K8	C7	100N	D4	1N4148
R8	1K	C8	22N	D5	1N4148
R9	39K	C9	220N	D6	LED
R10	220K	C10	22N	D7	LED
R11	100R	C11	220N	D8	1N4001
R12	33K	C12	2N2		
R13	33K	C13	100N	LEVEL	A100K
R14	100K	C14	47N	CONTOUR	B100K
R15	100K	C15	1N	TREBLE	B50K
R16	1M	C16	220N	GAIN	B250K
R17	47K	C17	1N*	BASS	A100K
R18	47K	C18	220N		
CLR	10K	C19	100U	SW1	SPDT
		C20	47U		ON/OFF/ON
		C21	10U		
		C22	10U		

*C17 is fitted with a 1nF as standard, which can be a little muffled with humbuckers. We've found that a 330pF is a good compromise value that suits most pickups. So essentially; if you're only ever going to use a Strat or a Tele go 1n, otherwise sub in the 330pF.

GRIND CUSTOMS FX

WWW.GRINDCUSTOMSFX.COM



GCFX Shred Dominator 1.1
Jan. 2016

GRIND CUSTOMS FX

WWW.GRINDCUSTOMSFX.COM

This PCB was designed using our standard 1590B/125B layout.

Guide drill templates:

